

TECHNO MODULAR ENCLOSURE



Strong
Flexible
Modular



BCH ELECTRIC LIMITED
we care for you



BCH ELECTRIC LIMITED

an ISO 9001:2008 company, is today one of the leading manufacturers of low voltage electrical and electronic controls. It is a wholly owned Indian Company with a wide network of global business connections.

The company's strong focus on customer satisfaction is reflected in its wide product range, catering to the requirements of customers in the electrical field. This includes Automation, Switchgear, Enclosures, Brakes and Crane Control Products.

A strong R & D base, state-of-the-art tool design, development and manufacturing capabilities and emphasis on quality has helped the company achieve benchmarks for its products and services.

BCH Electric, as always, remains committed to customer satisfaction and loyalty, and will continue to broaden its portfolio with more services and products to further strengthen its partnership with customers.





TECHNO MODULAR ENCLOSURE



Contemporary, highly flexible modular enclosure system for versatile applications. Ideally suited for AC Drives / Automation Control / Power Distribution and for Industrial Controls. Apart from standard Form-1 configuration, also possible to offer semi / fully compartmentalised options upto Form 3b that facilitates adaptability for MCCs, PDBs, APFC control, etc.

As the name suggests the construction is fully modular and offers flexibility of flatpak shipment. There is a separate robust subframe, covered with Doors and Covers protected against ingress by highly resilient foamed-in PU gasket. The mounting plate with high load bearing capacity is depth adjustable.

The design incorporates user friendly features and accessories, viz.

- (a) Adjustable support members
- (b) Removable doors and covers
- (c) Gland plate
- (d) Lifting eye bolts (lifting channel for extra wide enclosures)
- (e) Baying kit (for joining adjacent enclosures)
- (f) Wiring plan pocket
- (g) Modular plinth
- (h) Bolted stiffener for door
- (i) Sophisticated 3 point locking for doors
- (j) Possibility of offering Louvers with filters, Fans, Limit switch, Multipart mounting plate, AVM pads, and 19" angle adaptors
- (k) All along the internal sub frame, there is M6 tapping every 25mm that offers unmatched flexibility of site fixing of various accessories, supports, brackets, fittings, etc. without need of hole drilling





TECHNO MODULAR ENCLOSURE

High quality **CRCA**
branded steel sheets

Highly resilient
foamed-in **PU Gasket**

Removable
Doors & Covers

3 Point Lock
provided as standard

Paint Shop installed by
Handen Machines with
Powder Application System
from ITW GEMA, Switzerland



THE MANUFACTURING PROCESS

Our state-of-the-art suitably augmented manufacturing infrastructure, produces enclosures that excel to offer cost effectiveness. Our focus is on strong infrastructure, high efficiency and consistent quality.

- High quality CRCA (branded) steel sheets
- High-speed turret punch press with superior servo drive & accuracy
- CNC machines are supported by Pro E compatible software, which enables CAD to CAM manufacturing for customized products
- CNC bending machines with very high degree of accuracy, reproducibility & repeatability
- The fabrication process designed with TIG, MIG & spot welding ensures strong structures
- Modern paint shop installed by Haden International Group
- The pre-treatment is done using spray jets and cascade rinsing, which ensures optimized usage of chemicals.
- Paint shop is fitted with advanced automatic powder application system from ITW GEMA, Switzerland
- The door panels are processed with foam gasketing - made from Poly Urethane polymer for long life.
- The gasket laying machine is a state-of-the-art 3-Axis CNC machine from Europe
- Tri-cationic zinc Phosphating for higher salt spray life





BHARTIA ENCLOSURES IP 55 & IP 66



- ~ Range : (W x H x D in mm) : 200 x 200 x 150 through 1000 x 1200 x 300
- ~ Available in IP 55 and IP 66 degree of protection
- ~ Fabricated using CRCA draw quality sheet steel :
Body and Door : 1.2mm thickness upto 500 x 400 x 200 and 1.6 mm thickness beyond
Mounting plate and Gland plate : 2 mm thickness
- ~ Powder coated paint finish :
Body - RAL 7035 Structure finish
Mounting plate - Electrogalvanized. [Deep orange (RAL 2000) on request/special case]
- ~ Foamed-in PU gasket for superior and long lasting ingress protection
- ~ Gland plate provided at bottom for IP 55
- ~ Wall mounting brackets sets [4 brackets with fixing h/w] available as spare for small and bigger sizes enclosure.
- ~ Customised Solutions

Ability to meet special requirements like non standard sizes, colours, door configuration, locking arrangement.

BHARTIA TERMINAL BOXES



- ~ 43 standard variants
- ~ Range : (W x H x D in mm) : 450 x 150 x 80 through 800 x 400 x 120
- ~ Available in IP 55 and IP 66 degree of protection
- ~ Fabricated from 1.2 mm CRCA sheet steel
- ~ Foamed-in PU gasket
- ~ Powder coated to shade RAL 7035
- ~ Provided with screwed cover on top
- ~ Hingeable door with knob type locking for all sizes possible on request [Under customized category]
- ~ Two nos vertical mounting brackets provided as standard accessory
- ~ Holes with grommet provided to facilitate cable entry in IP 55 terminal boxes
- ~ Wall mounting brackets sets [4 brackets with fixing h/w] available as spare

BHARTIA TECHNO RACKS



- Networking Racks :**
 - ~ Most versatile rack platform
 - ~ Easy mounting of components
 - ~ Precision-engineered panels with highest tolerances
 - ~ Big range of sizes for single and baying applications
 - ~ Front glass door, rear door and side covers partially perforated for cross flow of ambient air
 - ~ Flexibility of placing the 19" channels from front to rear at the pitch of 25mm
- Wall Mounting Enclosures/Cabinets**
 - ~ Variet sizes gives more choices for selection.
 - ~ Ready to use enclosures
 - ~ Sleek look with sturdy construction
- Server Racks**
 - ~ 19" door standing racks
 - ~ Value for money
- ETSI Racks**
 - ~ Wide range of racks as per the ETSI standard
 - ~ Mainly used for telecom application
 - ~ Available in 2200mm height with 2 depths of 300mm and 600mm

**TECHNICAL
FEATURES & HIGHLIGHTS OF
BCH TECHNO MODULAR ENCLOSURES:**



- Combination to suite every need.
- 100% Modular Structure can be dispatched into flat pack.
- Structure made of high grade Electro-galvanized steel [Skin Pass] to provide superior protection against corrosion.
- Flexible Horizontal / Vertical busbar and Cable Compartment Configuration.
- Fully type tested as per International Standards IEC 439 , IEC 529
- Modular design construction for prevention of electrical faults from one compartment to the other compartments i.e. Form 1-2-3-4 and their sub form can be constructed IP 54 with polyurethane foam gasketing.
- Doors available in height of 200mm & multiples of 100mm.
- Horizontal Busbar chambers, Vertical cable chambers are provided with Individual bolted covers.
- Plinth (modular) & Side cover is optional.
- Wide Variety of Standard TME range to choose from.
- Additional accessories like Cable Support, Busbar Support and Baying Kit are available.
- Double front execution can also be provided.
- Lifting Channel provided as std (instead of Eye-bolts) for higher load-caring capacity.
- Mtg. Plate adjustable throughout the feeder compartment depth at an pitch of 25mm.
- BB chamber (Top / Bottom) and Feeder doors (Left / Right) are interchangeable.
- As a standard the doors are supplied with hinges for 120 degree opening and Metal locks.
- Panel can be expanded in all 3 dimensions and bayed together by using Baying Kit.
- All cornerbars and crossbars can be placed at 25mm intervals horizontal, vertical, longitudinal.
- Separation Plate will provide into all the feeder compartment in Horizontal and vertical way.
- Colours: RAL-7035 (EP structure finish) for structure, covers & doors. RAL-2000 (smooth finish) for Mtg. Plate, RAL-9000 (smooth finish) for Plinth and Lifting Angle.
- Short circuit strength : 50KA for 1 sec.
- Ingress Protection : IP - 54

Reach beyond the **conventional...**

Bhartia Enclosures



BCH ELECTRIC LIMITED



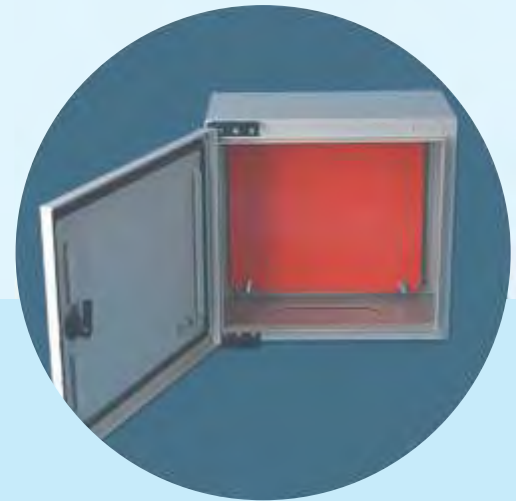
Bhartia Enclosures and Terminal Boxes provide a versatile solutions for modern hi-tech industrial applications. Being robust, compact & flexible, the product range offers utmost safety. Ideally suitable for Junction Boxes, Control Panels, Consoles, Distribution Boards, Starter Enclosures, Electronic Equipment Housing, Network Distributors, Server and Data Storage Racks and many more applications, the enclosures are available in IP 55 & IP 66.

The Manufacturing Process

Our state-of-the-art suitably augmented manufacturing infrastructure, produces enclosures that excel to offer cost effectiveness . Our focus is on strong infrastructure, high efficiency and consistent quality.



- High quality CRCA (branded) steel sheets
- High-speed turret punch press with superior servo drive & accuracy
- CNC machines are supported by Pro E compatible software, which enables CAD to CAM manufacturing, for customized products
- CNC bending machines with very high degree of accuracy, reproducibility & repeatability
- The fabrication process designed with TIG, MIG & spot welding ensures strong structures
- Modern paint shop installed by Haden International Group
- The pre-treatment is done using spray jets and cascade rinsing, which ensures optimized usage of chemicals.
- Paint shop is fitted with advanced automatic powder application system from ITW GEMA, Switzerland
- The door panels are processed with foam gasketing - made from Poly Urethane polymer for long life.
- The gasket laying machine is a state-of-the-art 3-Axis CNC machine from Europe
- Tri-cationic zinc Phosphating for higher salt spray life

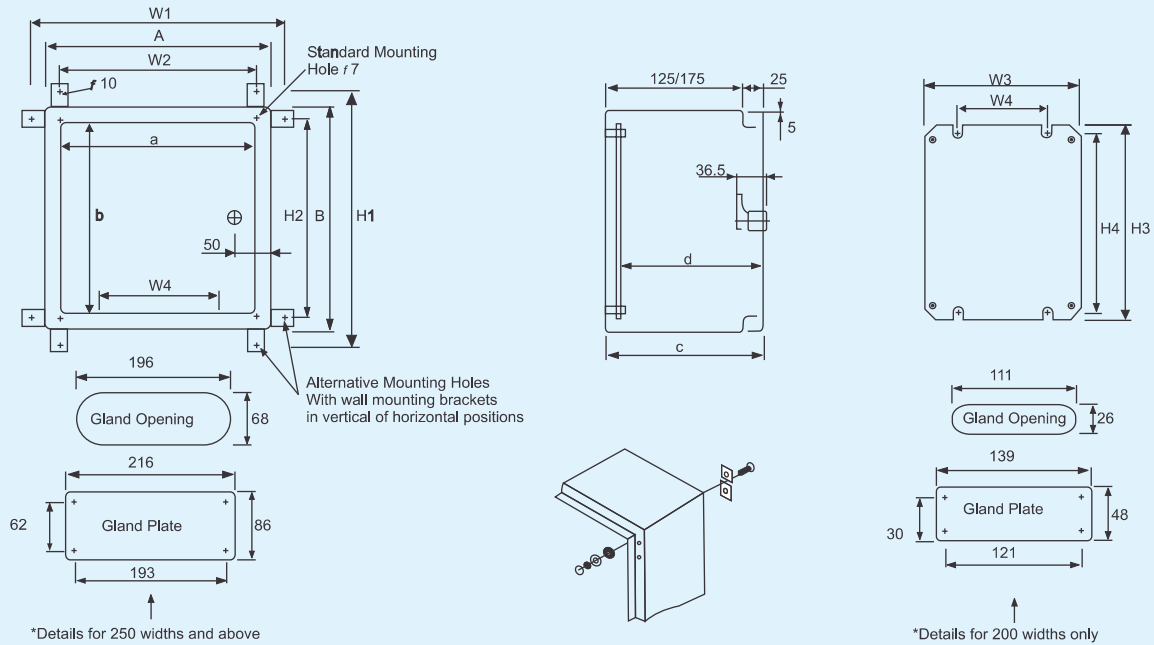


Bhartia Enclosures IP 55 & IP 66

- Range : (W x H x D in mm) : 200 x 200 x 150 through 1000 x 1200 x 300
- Available in IP 55 and IP 66 degree of protection
- Fabricated using CRCA draw quality sheet steel :
Body and Door : 1.2mm thickness upto 500 x 400 x 200 and 1.6 mm thickness beyond
Mounting plate and Gland plate : 2 mm thickness
- Powder coated paint finish :
Body - RAL 7035 Structure finish
Mounting plate - Electrogalvanized. [Deep orange (RAL 2000) on request/special case]
- Foamed-in PU gasket for superior and long lasting ingress protection
- Gland plate provided at bottom for IP 55
- Wall mounting brackets sets [4 brackets with fixing h/w] available as spare for small and bigger sizes enclosure.
- Customised Solutions
Ability to meet special requirements like non standard sizes, colours, door configuration, locking arrangement.



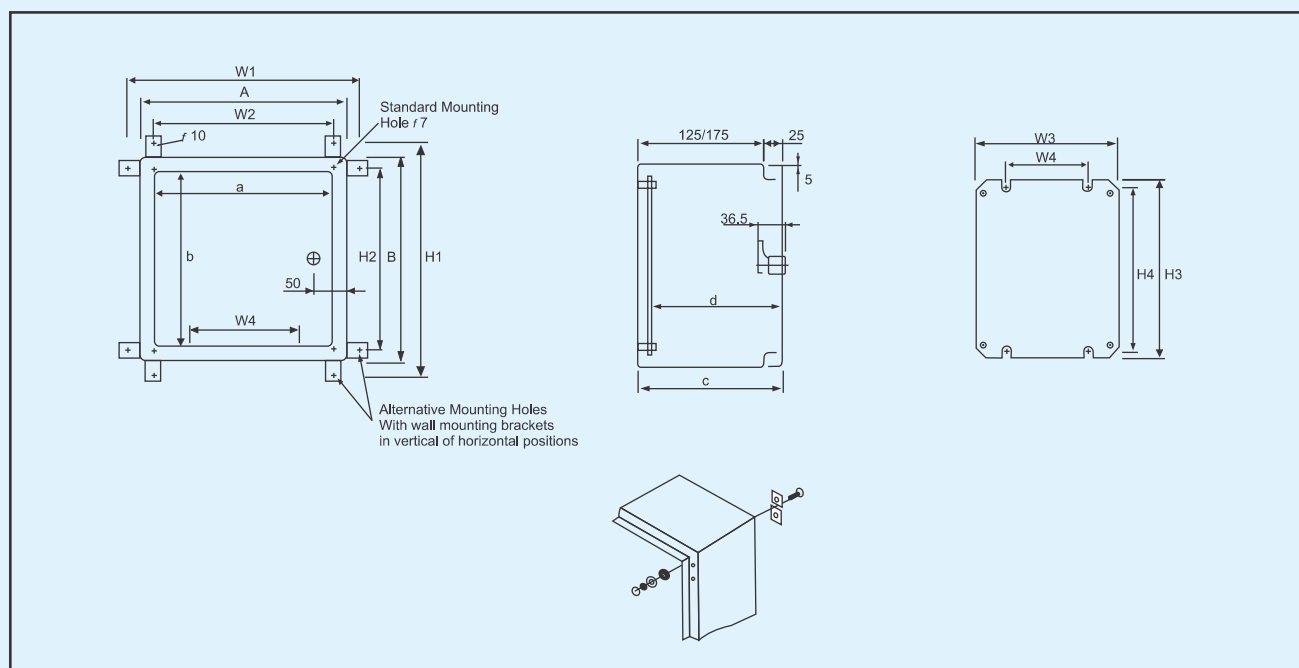
Bhartia Box IP 55 - Mounting Details



CAT. NO.	OVERALL SIZE.			OPENING DEPTH			MOUNTING HOLE POSITIONS				MOUNTING PLATE HOLE SIZE			
	A	B	C	a	b	c	W1	W2	H1	H2	W3	H3	W4	H4
SINGLE DOOR														
BIL 50000	200	200	150	150	150	135	250	160	250	160	140	176	100	106
BIL 50010	200	300	150	150	250	135	250	160	350	260	140	276	100	206
BIL 50020	250	300	200	200	250	135	300	210	350	260	190	276	150	206
BIL 50030	300	300	250	250	250	135	350	260	350	260	240	276	200	206
BIL 50050	300	300	250	250	250	185	350	260	350	260	240	276	200	206
BIL 50060	300	400	250	250	350	135	350	260	450	360	240	376	200	306
BIL 50080	300	400	250	250	350	185	350	260	450	360	240	376	200	306
BIL 50090	400	300	350	350	250	135	450	360	350	260	340	276	300	206
BIL 50110	400	300	350	350	250	185	450	360	350	260	340	276	300	206
BIL 50120	400	400	350	350	350	135	450	360	450	360	340	376	300	306
BIL 50140	400	400	350	350	350	185	450	360	450	360	340	376	300	306
BIL 50150	400	500	350	350	450	135	450	360	550	460	340	476	300	406
BIL 50170	400	500	350	350	450	185	450	360	550	460	340	476	300	406
BIL 50190	400	600	350	350	550	185	450	360	650	560	340	576	300	506
BIL 50210	500	600	450	450	550	185	550	460	650	560	440	576	400	506
BIL 50220	500	700	450	450	650	185	550	460	750	660	440	676	400	606
BIL 50230	500	700	450	450	650	285	550	460	750	660	440	676	400	606
BIL 50240	600	400	550	550	350	185	650	560	450	360	540	376	500	306
BIL 50250	600	400	550	550	350	285	650	560	450	360	540	376	500	306
BIL 50260	600	500	550	550	450	185	650	560	550	460	540	476	500	406
BIL 50270	600	600	550	550	550	185	650	560	650	560	540	576	500	506
BIL 50280	600	600	550	550	550	285	650	560	650	560	540	576	500	506
BIL 50290	600	700	550	550	650	185	650	560	750	660	540	676	500	606
BIL 50300	600	800	550	550	750	185	650	560	850	760	540	776	500	706
BIL 50320	600	800	550	550	750	285	650	560	850	760	540	976	500	906
BIL 50330	600	1000	550	550	950	185	650	560	1050	960	540	976	500	906
BIL 50340	600	1000	550	550	950	285	650	560	1050	960	540	976	500	906
BIL 50310	800	800	750	750	750	285	850	760	850	760	740	776	700	706
BIL 50350	800	1000	750	750	950	185	850	760	1050	960	740	976	700	906
BIL 50360	800	1000	750	750	950	235	850	760	1050	960	740	976	700	906
BIL 50390	800	1000	750	750	950	285	850	760	1050	960	740	976	700	906
BIL 50395	800	1200	750	750	1150	285	850	760	1250	1160	740	1176	700	1106
DOUBLE DOOR														
BIL 50500	1000	800	950	950	750	185	1050	960	850	760	940	776	900	706
BIL 50520	1000	800	950	950	750	285	1050	960	850	760	940	776	900	706
BIL 50540	1000	1000	950	950	950	285	1050	960	1050	960	940	976	900	906
BIL 50550	1000	1200	950	950	1150	285	1050	960	1250	1160	940	1176	900	1106

*All dimensions in mm

Bhartia Box IP 66 - Mounting Details



CAT. NO.	OVERALL SIZE			OPENING DEPTH			MOUNTING HOLE POSITIONS				MOUNTING PLATE HOLE SIZE				MOUNTING PLATE HOLE SIZE			
	A	B	C	A	B	C	W1	W2	H1	H2	W3	H3	W4	H4	W3	H3	W4	H4
BIL 60000	200	200	150	150	150	135	250	160	250	160	140	176	100	106	140	176	100	106
BIL 60010	200	300	150	150	250	135	250	160	350	260	140	276	100	206	140	276	100	206
BIL 60020	250	300	150	200	250	135	300	210	350	260	190	276	150	206	190	270	150	206
BIL 60030	300	300	150	250	250	135	350	260	350	260	240	276	200	206	240	276	200	206
BIL 60050	300	300	200	250	250	185	350	260	350	260	240	276	200	206	240	276	200	206
BIL 60060	300	400	150	250	350	135	350	260	450	360	240	376	200	306	240	376	200	306
BIL 60080	300	400	200	250	350	185	350	260	450	360	240	376	200	306	240	376	200	306
BIL 60090	400	300	150	350	250	135	450	360	350	260	340	276	300	206	340	276	300	306
BIL 60110	400	300	200	350	250	185	450	360	350	260	340	276	300	206	340	276	300	206
BIL 60120	400	400	150	350	350	135	450	360	450	360	340	376	300	306	340	376	300	306
BIL 60140	400	400	200	350	350	185	450	360	450	360	340	376	300	306	340	376	300	306
BIL 60150	400	500	150	350	450	135	450	360	550	460	340	476	300	406	340	476	300	406
BIL 60170	400	500	200	350	450	185	450	360	550	460	340	476	300	406	340	476	300	406
BIL 60190	400	600	200	350	550	185	450	360	650	560	340	576	300	506	340	576	300	506
BIL 60210	500	600	200	450	550	185	550	460	650	560	440	576	400	506	440	576	400	506
BIL 60240	600	400	200	550	350	185	650	560	450	360	540	376	500	306	540	376	500	306
BIL 60260	600	500	200	550	450	185	650	560	550	460	540	476	500	406	540	476	500	406

*All dimensions in mm

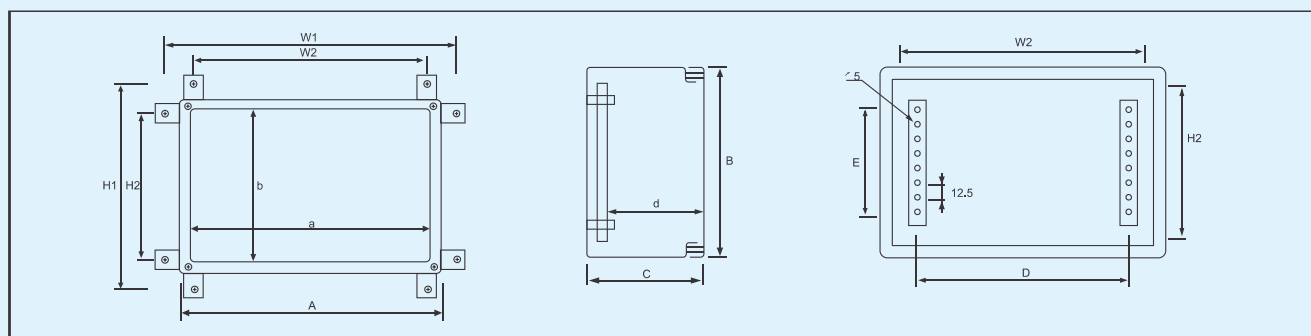


Terminal Boxes

- 43 standard variants
- Range : (W x H x D in mm) : 150 x 150 x 80 through 800 x 400 x 120
- Available in IP 55 and IP 66 degree of protection
- Fabricated from 1.2 mm CRCA sheet steel
- Foamed-in PU gasket
- Powder coated to shade RAL 7035
- Provided with screwed cover on top
- Hingeable door with knob type locking for all sizes possible on request [Under customized category]
- Two nos vertical mounting brackets provided as standard accessory
- Holes with grommet provided to facilitate cable entry in IP 55 terminal boxes
- Wall mounting brackets setd [4 brackets with fixing h/w] available as spare



Terminal Box IP 55 - Mounting Details



CAT. NO.	OVERALL SIZE					OPENING SIZE			MOUNTING POSITION							
	A	B	C	D	E	a	b	d	W1	W2	H1	H2				
BIL - 70000	150	x	150	x	80	x	75	x	75	125	125	63	190	110	190	110
BIL - 70010	300	x	150	x	80	x	225	x	75	275	125	63	340	260	190	110
BIL - 70020	200	x	200	x	80	x	25	x	125	175	175	63	240	160	240	160
BIL - 70030	300	x	200	x	80	x	225	x	125	275	175	63	340	260	240	160
BIL - 70040	150	x	150	x	120	x	75	x	75	125	125	103	190	110	190	110
BIL - 70050	300	x	150	x	120	x	225	x	75	275	125	103	340	260	190	110
BIL - 70060	200	x	200	x	120	x	25	x	125	175	175	103	240	160	240	160
BIL - 70070	300	x	200	x	120	x	225	x	125	275	175	103	340	260	240	160
BIL - 70080	400	x	200	x	120	x	325	x	125	375	175	103	440	360	240	160
BIL - 70090	300	x	300	x	120	x	225	x	225	275	275	103	340	260	340	260
BIL - 70180	400	x	300	x	120	x	225	x	225	375	275	103	440	360	340	260
BIL - 70190	400	x	400	x	120	x	325	x	325	375	375	103	440	360	440	360
BIL - 70200	500	x	200	x	120	x	425	x	125	475	175	103	540	460	240	160
BIL - 70210	500	x	300	x	120	x	425	x	225	475	275	103	540	460	340	260
BIL - 70220	600	x	200	x	120	x	525	x	125	575	175	103	640	560	240	160
BIL - 70230	600	x	300	x	120	x	525	x	225	575	275	103	640	560	340	260
BIL - 70240	600	x	400	x	120	x	525	x	325	575	375	103	640	560	440	360
BIL - 70250	800	x	200	x	120	x	725	x	125	775	175	103	840	760	240	160
BIL - 70260	800	x	400	x	120	x	725	x	325	775	375	103	840	760	440	360

*All dimensions in mm

Terminal Box IP 66 - Mounting Details

CAT. NO.	OVERALL SIZE					OPENING SIZE			MOUNTING POSITION							
	A	B	C	D	E	a	b	d	W1	W2	H1	H2				
BIL - 80000	150	x	150	x	80	x	75	x	75	125	125	63	190	110	190	110
BIL - 80100	200	x	150	x	80	x	125	x	75	175	125	63	240	160	190	110
BIL - 80010	300	x	150	x	80	x	225	x	75	275	125	63	340	260	190	110
BIL - 80020	200	x	200	x	80	x	25	x	125	175	175	63	240	160	240	160
BIL - 80030	300	x	200	x	80	x	225	x	125	275	175	63	340	260	240	160
BIL - 80110	400	x	200	x	80	x	325	x	125	375	175	63	440	360	240	160
BIL - 80130	600	x	200	x	80	x	525	x	125	575	175	63	640	560	240	160
BIL - 80040	150	x	150	x	120	x	75	x	75	125	125	103	190	110	190	110
BIL - 80150	200	x	150	x	120	x	125	x	75	175	125	103	240	160	190	110
BIL - 80050	200	x	150	x	120	x	225	x	75	275	125	103	340	260	190	110
BIL - 80060	200	x	200	x	120	x	25	x	125	175	175	103	240	160	240	160
BIL - 80070	300	x	200	x	120	x	225	x	125	275	175	103	340	260	240	160
BIL - 80090	300	x	300	x	120	x	225	x	225	275	275	103	340	260	340	260
BIL - 80170	400	x	150	x	120	x	325	x	75	375	125	103	440	360	190	110
BIL - 80080	400	x	200	x	120	x	325	x	125	375	175	103	440	360	240	160
BIL - 80180	400	x	300	x	120	x	325	x	225	375	275	103	440	360	340	260
BIL - 80190	400	x	400	x	120	x	325	x	325	375	375	103	440	360	440	360
BIL - 80200	500	x	200	x	120	x	425	x	125	475	175	103	540	460	240	160
BIL - 80210	500	x	300	x	120	x	425	x	225	475	275	103	540	460	340	260
BIL - 80220	600	x	200	x	120	x	525	x	125	575	175	103	640	560	240	160
BIL - 80230	600	x	300	x	120	x	525	x	225	575	275	103	640	560	340	260
BIL - 80240	600	x	400	x	120	x	525	x	325	575	375	103	640	560	440	360
BIL - 80250	800	x	200	x	120	x	725	x	125	775	175	103	840	760	240	160
BIL - 80260	800	x	400	x	120	x	725	x	325	775	375	103	840	760	440	360

*All dimensions in mm



'BCH - SS' (Stainless Steel)

- Fabricated from 1.2/1.6 mm stainless steel sheet
- Mounting Plate made up of 2.0mm Galvanised steel
- SS grade 304
- Foamed - in PU gasket
- Box upto BIL - 90405020 is made up of 1.2 mm SS & above of 1.6 MM SS.
- 120 deg door open-able concealed hinge door with cam locking arrangement.

Type	Size (WxHxD) mm	MOQ Nos.	Cat No.	List Price Rs.
SINGLE DOOR BOX	200X300X150	10	BIL-90203015	Price on request
SINGLE DOOR BOX	300X300X200	10	BIL-90303020	
SINGLE DOOR BOX	400X400X200	10	BIL-90404020	
SINGLE DOOR BOX	400X500X200	10	BIL-90405020	
SINGLE DOOR BOX	400X600X200	10	BIL-90406020	
SINGLE DOOR BOX	500X600X200	10	BIL-90506020	
SINGLE DOOR BOX	600X600X200	10	BIL-90606020	
SINGLE DOOR BOX	600X800X200	10	BIL-90608020	
SINGLE DOOR BOX	500X700X300	10	BIL-90507030	
SINGLE DOOR BOX	800X800X300	10	BIL-90808030	

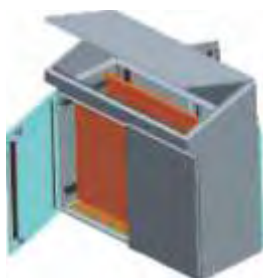
MOQ - Minimum order quantity in nos.
 Note - SS grade 304

Highlights of BCH MCC / PCC Cubicle

- 100% Modular Structure; can be dispatched into flat pack.
- Flexible Horizontal / Vertical busbar and Cable Compartment Configuration.
- Compartmentalised - upto Form 4.
- IP 54 with polyurethane foam gasketing.
- Doors available in height of 200mm & multiples of 100mm.
- Horizontal Busbar chambers, Vertical cable chambers are provided with Individual bolted cover
- Rear bolted covers.
- Plinth (modular) & Side cover (Optional).
- Wide Variety of Standard MCC range.
- Additional accessories like Cable support, Busbar Support and Baying kit are available.
- Double front execution can also be provided.
- Lifting Channel provided as standard (instead of Eye-bolts) for higher load-carrying capacity.
- Adjustable (Depth wise at the pitch of 25mm) mounting plates.
- Bus Bar chamber (Top / Bot) and Feeder doors (Left / Right) are interchangeable.
- Doors are open able with hinges for 120 degree opening and Metal locks.
- Panel can be expanded in all 3 dimensions and bayed together by using Baying Kit.
- All cornerbars and crossbars can be placed at 25mm intervals horizontal, vertical, longitudinal.
- Horizontal & vertical separation plates are provided between all feeder compartments.
- Colours: RAL-7035 (structure finish) for structure, covers & doors. RAL-2000 (smooth finish) for Plate, RAL-9000 (smooth finish) for Plinth and lifting channel.
- Sheet thickness 2.0mm GPSP for Structure, 2.0mm CRCA for mtg plate & mtg rail, 1.6mm CRCA for Covers & Doors, 1.2mm CRCA for Separation Plates.



BCH Control Desk





100%
Bolted

Modular Enclosures

Contemporary, highly flexible modular enclosure system for versatile applications. Ideally suited for AC Drives / Automation Control / Power Distribution and for Industrial Controls. Apart from standard Form-1 configuration, also possible to offer semi / fully compartmentalised options upto Form 3b that facilitates adaptability for MCCs, PDBs, APFC control, etc. As the name suggests the construction is fully modular and offers flexibility of flat pack shipment. There is a separate robust subframe, covered with Doors and Covers protected against ingress by highly resilient foamed-in PU gasket. The mounting plate with high load bearing capacity is depth adjustable

The design incorporates user friendly features and accessories, viz.

- (a) Adjustable support members
- (b) Removable doors and covers
- (c) Gland plate
- (d) Lifting eye bolts (lifting channel for extra wide enclosures)
- (e) Baying kit (for joining adjacent enclosures)
- (f) Wiring plan pocket
- (g) Modular plinth
- (h) Bolted stiffener for door
- (i) Robust 3 point locking for doors
- (j) Possibility of offering Louvers with filters, Fans, Limit switch, Multipart mounting plate, AVM pads, and 19" angle adaptors
- (k) All along the internal sub frame, there is M6 tapping every 25mm that offers unmatched flexibility of site fixing of various accessories, supports, brackets, fittings, etc. without need of hole drilling

General Technical Particulars:

- IP54/55 degree of protection
- Fabricated from 2/1.6 mm CRCA/GPSP (frame made up of 2.0mm GPSP, doors & covers made up of 1.6 mm CRCA).
- Mounting plate 3mm thick - standard & Powder Coated to RAL- 2000
- Plinth (optional) 100mm high fabricated from 2mm
- Cable entry provision is given from bottom as standard
- Foamed-in PU gasket.
- Powder coated to RAL: 7035 structure finish.
- Hinge design allows 120 deg. Door opening.
- 3 Point lock provided as standard.
- Door Stiffener with provision of drilling holes for wiring harness.
- Side Covers- pair: consisting of 1no. LHS and 1 no. RHS cover
- Upto 800 mm width single door. 1000 mm & 1200 mm width double door.



Size in mm W x H x D	Enclosure Catalogue No.	Plinth Catalogue No.	Side Covers (Pair) Catalogue No.
600x1800x400	TME 061804	TPL 061804	TSC 061804
800x1800x400	TME 081804	TPL 081804	TSC 081804
1000x1800x400	TME 101804	TPL 101804	TSC 101804
1200x1800x400	TME 121804	TPL 121804	TSC 121804
600x1800x500	TME 061805	TPL 061805	TSC 061805
800x1800x500	TME 081805	TPL 081805	TSC 081805
1000x1800x500	TME 101805	TPL 101805	TSC 101805
1200x1800x500	TME 121805	TPL 121805	TSC 121805
600x2000x400	TME 062004	TPL 062004	TSC 062004
800x2000x400	TME 082004	TPL 082004	TSC 082004
1000x2000x400	TME 102004	TPL 102004	TSC 102004
1200x2000x400	TME 122004	TPL 122004	TSC 122004
400x2000x500	TME 042005	TPL 042005	TSC 042005
600x2000x500	TME 062005	TPL 062005	TSC 062005
800x2000x500	TME 082005	TPL 082005	TSC 082005
1000x2000x500	TME 102005	TPL 102005	TSC 102005
1200x2000x500	TME 122005	TPL 122005	TSC 122005

Size in mm W x H x D	Enclosure Catalogue No.	Plinth Catalogue No.	Side Covers (Pair) Catalogue No.
400x2000x600	TME 042006	TPL 042006	TSC 042006
600x2000x600	TME 062006	TPL 062006	TSC 062006
800x2000x600	TME 082006	TPL 082006	TSC 082006
1000x2000x600	TME 102006	TPL 102006	TSC 102006
1200x2000x600	TME 122006	TPL 122006	TSC 122006
600x2000x800	TME 062008	TPL 062008	TSC 062008
800x2000x800	TME 082008	TPL 082008	TSC 082008
1000x2000x800	TME 102008	TPL 102008	TSC 102008
1200x2000x800	TME 122008	TPL 122008	TSC 122008
600x2200x600	TME 062206	TPL 062206	TSC 062206
800x2200x600	TME 082206	TPL 082206	TSC 082206
1000x2200x600	TME 102206	TPL 102206	TSC 102206
1200x2200x600	TME 122206	TPL 122206	TSC 122206
600x2200x800	TME 062208	TPL 062208	TSC 062208
800x2200x800	TME 082208	TPL 082208	TSC 082208
1000x2200x800	TME 102208	TPL 102208	TSC 102208
1200x2200x800	TME 122208	TPL 122208	TSC 122208

All dimensions in mm

Enclosure Versions :

- 001 - With mounting plate and rear cover
- 002 - With mounting plate and rear door
- 003 - Without mounting plate and with rear cover
- 004 - Without mounting plate and with rear door

Ordering Information :

- (a) Choose Cat. No. of Enclosure version from 001, 002, 003 or 004
- (b) Add Cat. No. of Plinth
- (c) Add Cat. No. of Side Covers pair

Techno Racks



Networking Racks

BCH's floor standing racks are the most versatile rack platform. It enables easy mounting of the component to fit into your applications. From consistent Steel profiles to precision-engineered panels with the highest tolerances for fit and finish in the industry, the racks are simply the finest Indian modular racks available; in big range of sizes for single and baying applications.

The Networking racks come with front glass door, rear door and side covers partially perforated for cross flow of ambient air. The recess rails give flexibility of placing the 19" channels from front to rear at a pitch of 25mm.

Wall Mounting Enclosure/Cabinet

Simplicity of the design with various size variants gives more choices for selection. The "Ready to use" enclosures make it more easy. The sleek look with sturdy construction and vents for air circulation mean that these enclosures can be used for various wall mounting applications.

Server Racks

Our elegant, robust server rack structure has appropriate suitability for rack mounting heavy-duty servers. The vents for airflow have been given top attention for the cross flow of ambient air to cool down the servers. Provision for ventilation is given from front to rear and roof as well. BCH 19" floor standing racks offer the best solution in terms of suitability and value for money. BCH floor standing racks are used to keep servers and other active IT equipments in systematic, secure and consolidated manner.

ETSI Racks

BCH also offers racks as per the ETSI standard. These racks are mainly used for telecom application. They are available in 2200mm height with 2 depths of 300mm and 600mm.